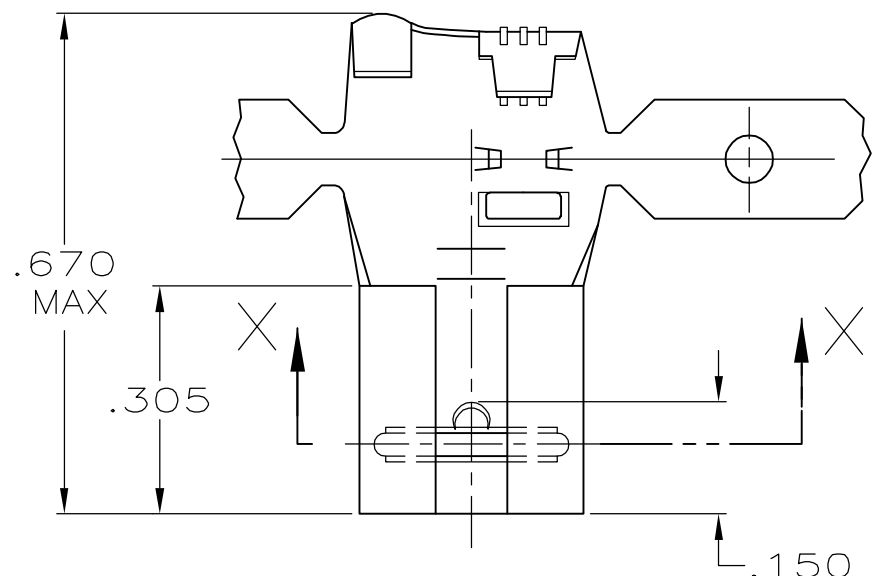
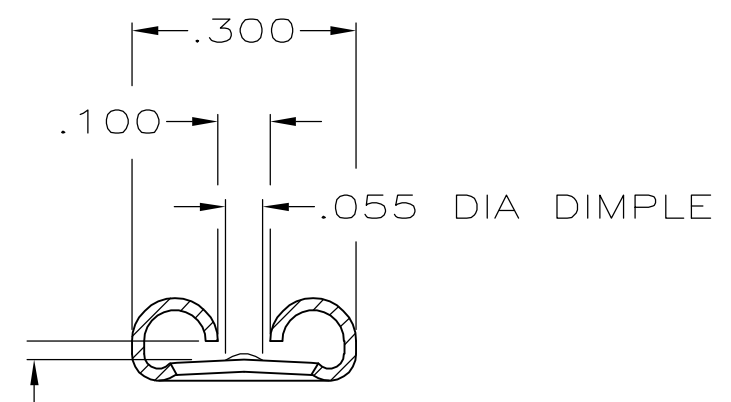


THIS DRAWING IS UNPUBLISHED. RELEASED FOR PUBLICATION ,19
 © COPYRIGHT 19 BY AMP INCORPORATED. ALL INTERNATIONAL RIGHTS RESERVED.

LOC	DIST	P	F	REVISIONS				
				ZONE	LTR	DESCRIPTION	DATE	APPD
AF	50				P	REVISED AF-7660	10/18/91	JR/CM

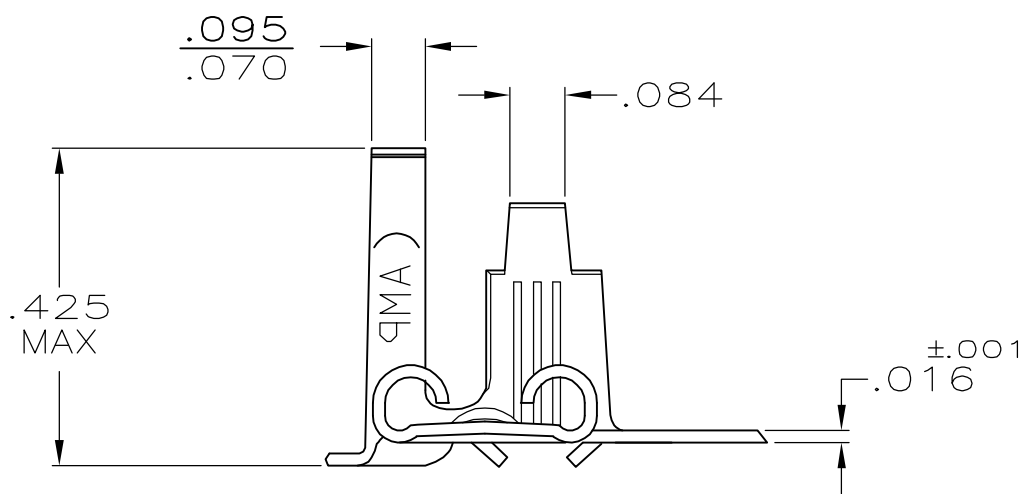


- 1 CONTINUOUS STRIP ON REELS.
- 2 FEED IS $.760 \pm .005$.



— FITS .250 SERIES FASTON TAB

SECTION X-X



TIN .000080 MIN	.110-.210	18-12 AWG	.032	42511-2
-	.110-.210	18-12 AWG	.032	42511-1
FINISH	INSULATION RANGE	WIRE SIZE	MATING TAB THK $\pm .001$	PART NO
DO NOT SCALE PRINT. UNLESS SPECIFIED DIMENSIONS ARE IN INCHES TOLERANCES ON: 2 PLC DEC \pm - 3 PLC DEC \pm .015 ANGLES \pm -	DR 1/24/91 JR RUTH	AMP Incorporated Harrisburg, PA 17105-3608		
	CHK 1/24/91 P FORTNEY			
MATERIAL 4M BRASS	APPD 1/24/91 C MEYERS	NAME RECEPTACLE, FASTON, FLAG, .250 SERIES		
	APPD 1/24/91 D REINER			
FINISH SEE TABLE	PRODUCT SPEC -	SIZE B	CAGE CODE 00779	DRAWING NO 42511
	APPLICATION SPEC -	SCALE 4:1	SHEET 1 OF 1	
	WEIGHT -			